

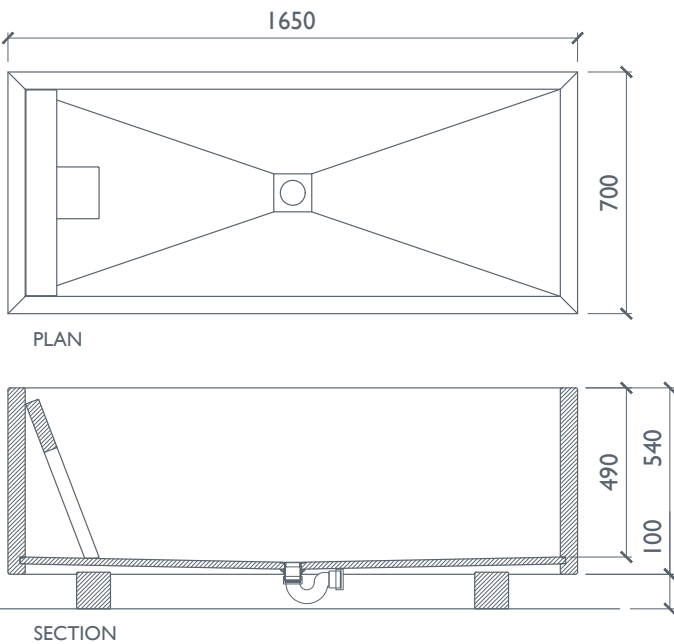


WILLIAM GARVEY
FURNITURE DESIGNERS & MAKERS

GEO SINGLE

Teak bath with removable back rest. Bath supported on two adjustable bearers.

TECHNICAL



DATA

Construction:	Constructional teak veneer, agba marine ply
Weight filled/empty:	552kg/88kg
Total Volume:	455 litres
Hardware:	Chrome captive waste, low profile trap
Finishes:	Low gloss marine lacquer or hot washed
Care instructions:	Please follow this link to the finishes and care instructions webpage

Most elements of our products can be made to suit your designs & all can be made to specific sizes. Please get in touch for a quote.

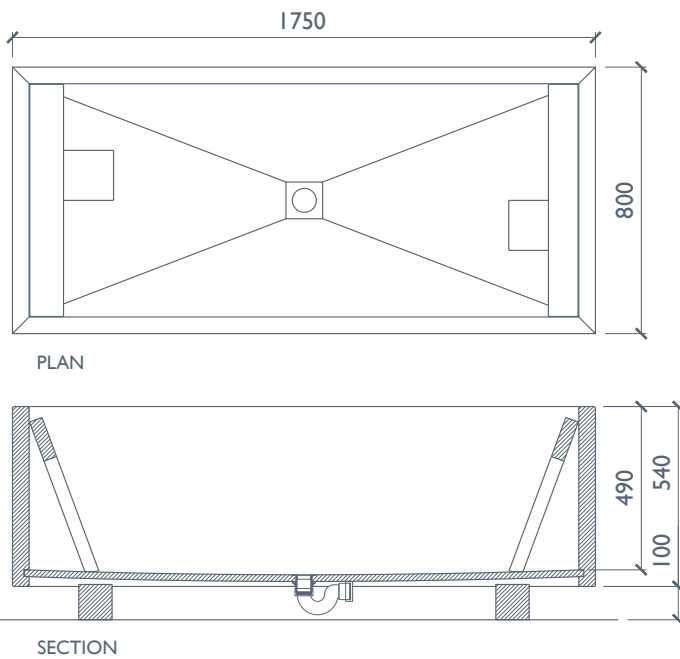


WILLIAM GARVEY
FURNITURE DESIGNERS & MAKERS

● GEO DOUBLE

Teak bath with two offset removable back rests. Bath supported on two adjustable bearers.

● TECHNICAL



● DATA

Construction:	Constructional teak veneer, agba marine ply
Weight filled/empty:	662kg/96.5kg
Total Volume:	566 litres
Hardware:	Chrome captive waste, low profile trap
Finishes:	Low gloss marine lacquer or hot washed
Care instructions:	Please follow this link to the finishes and care instructions webpage

● *Most elements of our products can be made to suit your designs & all can be made to specific sizes. Please get in touch for a quote.*