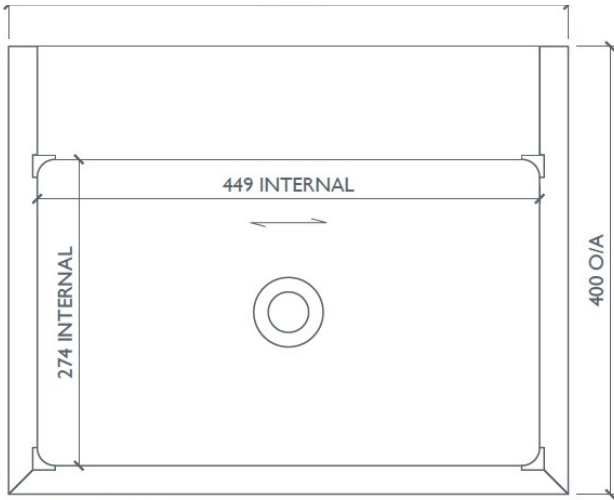




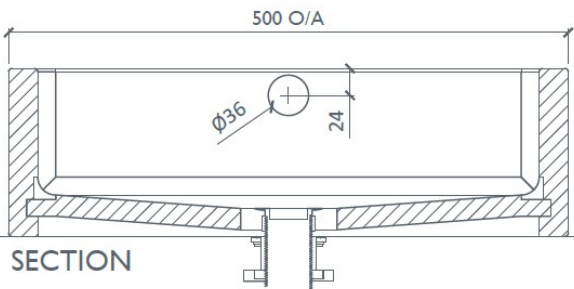
BASIN •

Rectangular wall mounted basin with a slightly concave base .

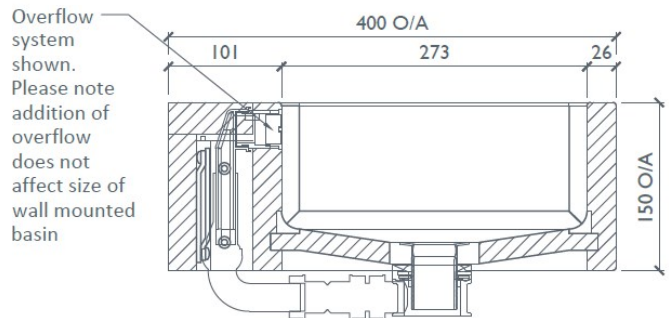
Tap holes drilled to requirement.



PLAN VIEW



SECTION



Overflow system shown. Please note addition of overflow does not affect size of wall mounted basin

- Construction: Veneer, Agba Marine-Ply in Teak, Maple, Cedar\*, Oak or Walnut
- Finishes: Low-gloss Marine Lacquered
- Fittings: Chrome push operated waste available in [Click for options](#)  
(Overflows are custom components)
- Care instructions: Click this [link](#) for our finishes and care instructions webpage

\* Cedar subject to 5% surcharge

Our products can be made to suit your designs, colours & specific sizes | Please get in touch for a quote.



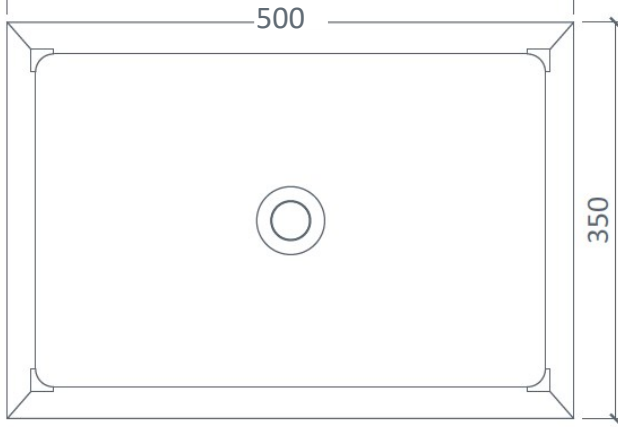
Images for indication only | Lighting and grain variations must be considered | Tints available, to match preferences.



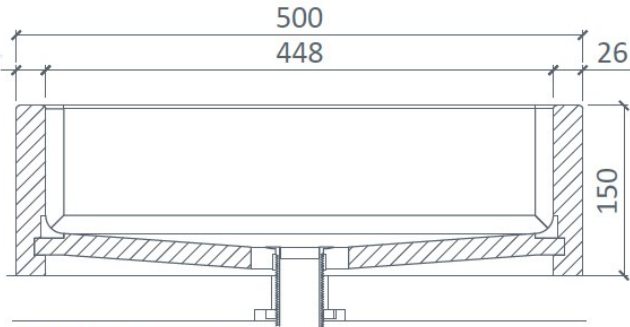


COUNTERTOP BASIN •

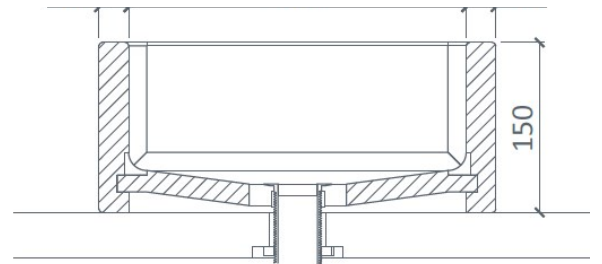
Rectangular counter mounted basin,  
with a slightly concave base.



PLAN VIEW



FRONT SECTION



SIDE SECTION

Construction: Veneer, Agba Marine-Ply in Teak, Maple, Cedar\*, Oak or Walnut  
 Finishes: Low-gloss Marine Lacquered  
 Fittings: Chrome push operated waste available in [Click for options](#)  
 Care instructions: Click this [link](#) for our finishes and care instructions webpage

\* Cedar subject to 5% surcharge

Our products can be made to suit your designs, colours & specific sizes | Please get in touch for a quote.



Images for indication only | Lighting and grain variations must be considered | Tints available, to match preferences.

