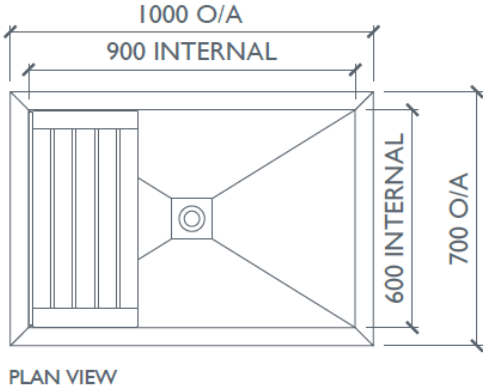
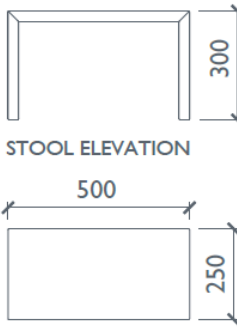
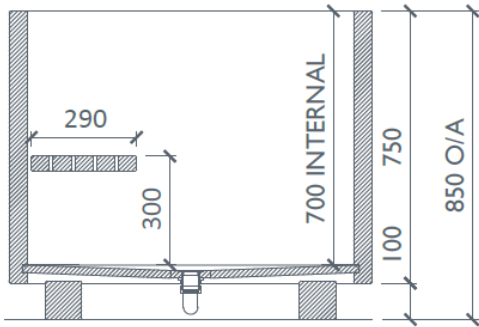




BATH - DEEP SINGLE •



PLAN VIEW



STOOL ELEVATION

Deep soaking tub with one removable bench, and is supported on two adjustable bearers. Supplied with a stool for easier entry.



- Construction: Veneer, Agba Marine-Ply in Teak, Maple, Cedar\*, Oak or Walnut
- Finishes: Matt High Performance Lacquer
- Weight filled/empty: 461kg/83kg
- Total Volume: 378 litres
- Hardware/Fittings: Captive waste in polished/brushed Chrome, Copper, Brass, Gold, Nickel, [or click for colours](#)
- Low profile P-trap
- Care instructions: Click this [link](#) for our finishes and care instructions webpage

Our products can be made to suit your designs, colours & specific sizes | Please get in touch for a quote.



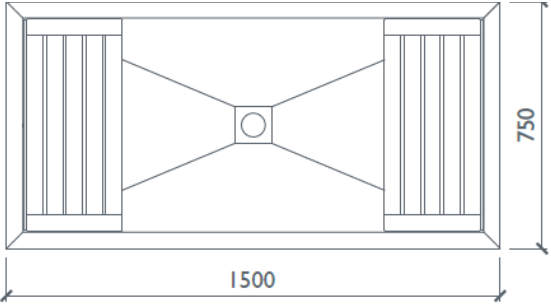
Images for indication only | Lighting and grain variations must be considered | Tints and colour matching available.

\* Cedar- subject to 5% surcharge

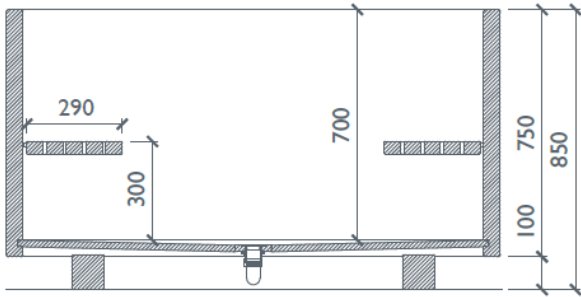


BATH - DEEP DOUBLE •

Deep soaking tub with two removable benches, and is supported on two adjustable bearers. Supplied with a stool for easier entry.



PLAN



SECTION



STOOL PLAN



- Construction: Veneer, Agba Marine-Ply in Teak, Maple, Cedar\*, Oak or Walnut
- Finishes: Matt High Performance Lacquer
- Weight filled/empty: 567kg/112kg
- Total Volume: 637 litres
- Hardware/Fittings: Captive waste in polished/brushed Chrome, Copper, Brass, Gold, Nickel, [or click for colours](#)
- Low profile P-trap
- Care instructions: Click this [link](#) for our finishes and care instructions webpage

Our products can be made to suit your designs, colours & specific sizes | Please get in touch for a quote.



Images for indication only | Lighting and grain variations must be considered | Tints and colour matching available.

\* Cedar- subject to 5% surcharge