



WILLIAM GARVEY



INSTALLATION INSTRUCTIONS



# WILLIAM GARVEY

## INTRODUCTION

William Garvey products are wonderfully robust and durable in use, however lacquered surfaces particularly can be quite easily damaged by knocks and scratches from hard objects such as tools during installation. Please take care not to damage the surfaces by not resting tools on the products. We take great care to ensure each product leaves the workshop in perfect condition.

This guide should tell you what you need to know to install our non-custom products. However, we would generally advise that a professional plumber or bathroom installer undertakes the installation. If you are in any doubt, please contact our office to ask for some advice. This document should be read in conjunction with the Finishes & Care Guide.





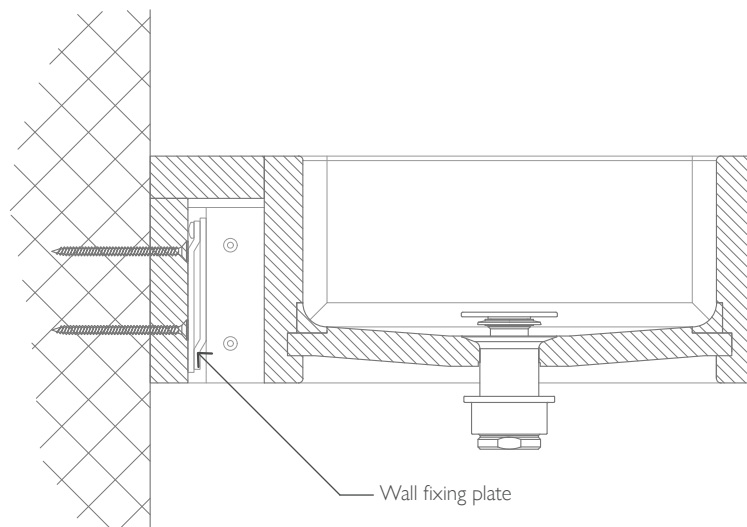
# WILLIAM GARVEY

## GEO BASINS

Separate wall fixing plate from basin by sliding with downward pressure. Fix wall plate to the wall using appropriate screws, taking care to ensure it is plumb and level. Please note if the wall is not flat and vertical it may be necessary to insert shims or packers behind the wall plate before fixing. Check even drainage with a small amount of water before continuing. Wall structure needs to be solid enough to ensure adequate support for secure fixings.

Locate basin on its wall plate fixings, ensure it is properly seated. Depending on the evenness of the wall, it may be necessary to ease one or more of the roundhead screws on the metal brackets. If the basin is to be mounted to a tile finished wall, please take care to avoid tile cement or grout coming into contact with the basin as this may cause scratching or staining.

When tiling down to the basin, please remember the basin cannot be removed at a later date without removing the tiles. If you are drilling tap holes, ensure their positioning allows adequate space for the fixing nut, which is then screwed on to secure the tap, and remember to allow for the thickness of any splashback that will be added later once the basin is hung.

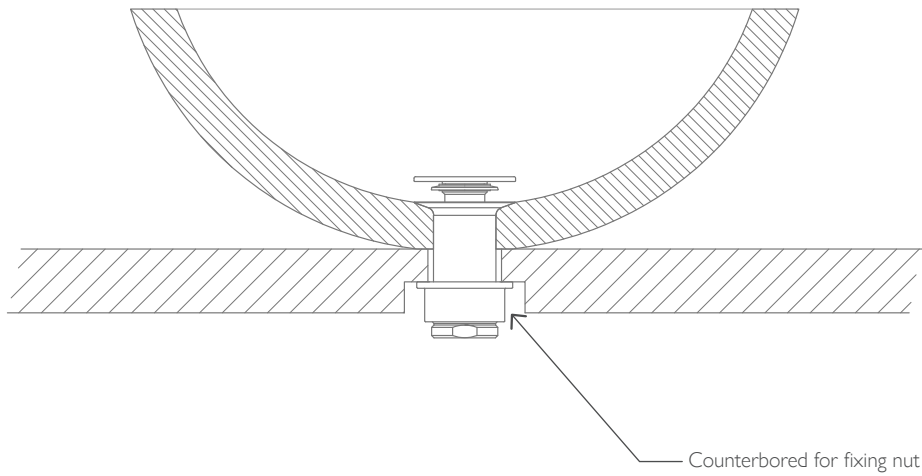




# WILLIAM GARVEY

## HELIO BASINS

Helio basins are designed to stand on a countertop with a 42-45mm hole for the waste fitting. The basin is held in position by a  $\text{\O}60\text{mm}$  lock nut. Please note that the countertop thickness should be no more than 20mm to leave sufficient thread for the waste trap. Tops thicker than 20mm will need to be counterbored underneath.



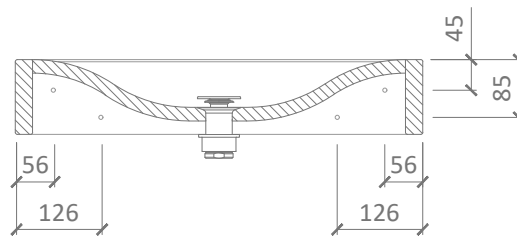


# WILLIAM GARVEY

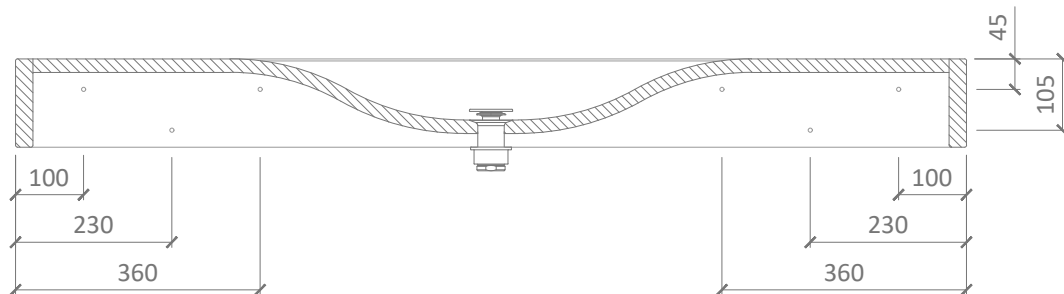
## WAVE BASINS

Please note if wave basin has an overflow, the basin will be fixed to the wall with a wall plate. See Geo basin installation for more details of this fixing method. Without the overflow, the basin is screw fixed from the underside through pre-drilled holes as dimensioned below.

If the basin is to be mounted to a tile finished wall, please take care to avoid tile cement or grout coming into contact with the basin as this may cause scratching or staining. When tiling down to the basin, please remember the basin cannot be removed at a later date without removing the tiles.



SHORT WAVE BASIN



LONG WAVE BASIN

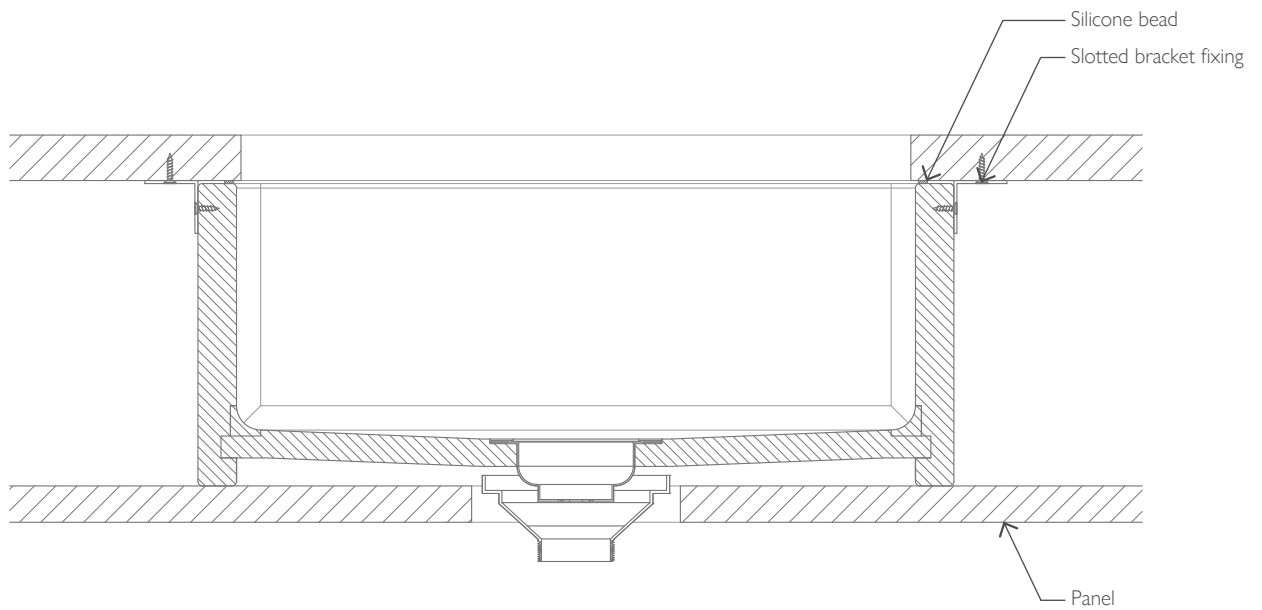




# WILLIAM GARVEY

## GEO SINKS

Please level the sink accurately to ensure that it drains evenly. The sink can either be suspended from a worktop using slotted fixing brackets or supported from below the sink on a shelf or frame. A bead of silicone is to be applied between the top edge of the sink and the worktop when undermounting, so that when the worktop is in place there is a 1-3mm silicone-filled gap between the top edge of the sink and the underside of the worktop. The waste fitting supplied with our sinks is a basket strainer waste which will accept a standard 1 ½" trap.



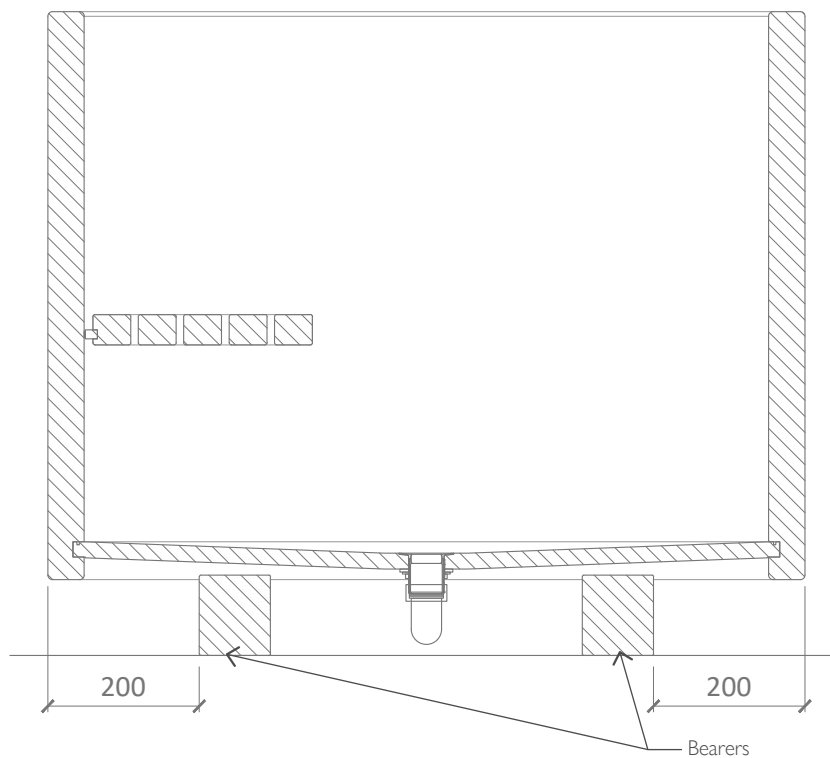


# WILLIAM GARVEY

## GEO BATHS

All our baths come with adjustable bearers as standard. Bearers do not have a fixed location but they should be positioned roughly 200mm in from each end of the bath. If necessary, they can be drilled or notched to provide a route for the waste plumbing. The core material is high-quality, specialist plywood which has great properties for this environment.

It is important to level the bath accurately to ensure that it drains evenly. If the floor is not level, the bearers have feet which can be adjusted using a slotted screw driver. The waste fitting will accept a standard 1 1/2" shallow P-trap, which is supplied.

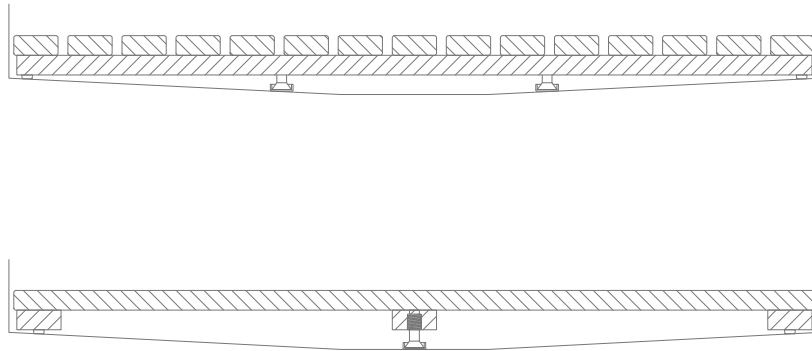




# WILLIAM GARVEY

## DUCKBOARDS

Duckboards within shower trays need to be levelled by lifting one side to adjust the feet underneath until they all make contact with the base of the shower tray when the duckboard is in place. Once this is achieved it will feel solid underfoot.



## SHOWER TRAYS

Shower trays need to be levelled accurately to ensure even drainage. This is done by locally packing between floor and bottom edge of the unit. Shower screens and door panels can be fitted on the tray as per manufacturer instructions.

Wall finishes such as tiles can be used and we strongly recommend to use silicone in the junction between the tiles and the tray. Leaving a 2mm gap for the silicone to fill is critical to ensure the seal lasts. Avoid tile cement or grout coming into contact with the tray as this may cause scratching or staining. The waste fitting will accept a standard 1 1/2" connection.

